

# CPA 5RC with GPS

## ASTRONOMICAL DIGITAL PROGRAMMER

The CPA 5RC programmer with GPS is an intelligent street lighting controller with built-in GPS module.

The CPA 5RC with GPS programmer is an intelligent street lighting controller, which is used to turn on and off and monitor the work of lighting. Its characteristic feature is a built-in receiver for GPS satellite location system that allows you to accurately determine the time of day and date. This solution frees the user from the problem of correcting the clock in the controller.

The controller can be programmed remotely - using wireless remote control, and thus without the need to open the cabinet in which it is assembled.

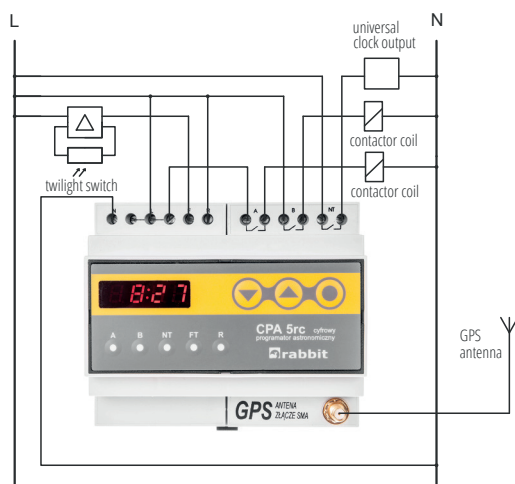
With the event recorder built in the timer its user can get the basic information about the work of the lighting network: the network status changes and outages. The remote control allows the transfer of collected data to a computer, where their analysis is conducted.



## FEATURES OF THE DEVICE

- GPS time synchronisation
- cooperation with PS5RC radio remote control
- event recorder
- automatic change of summer/winter time
- six stored astronomical arrays
- programmable night interruption
- cooperation with twilight switch
- easy to read LED display and ergonomic keyboard facilitate making settings
- LEDs on the front panel indicate the status of inputs and outputs, GPS signal
- ability to lock the keyboard and controller settings, using the PS5RC remote control
- possibility to block the driver with PIN

## WIRING DIAGRAM



## TECHNICAL SPECIFICATIONS

- supply voltage: 230 V +10/-20%, 50 Hz
- driver size (width / height / depth): 105 x 90 x 60 mm
- width of the device: 6 modules
- number of outputs: 3 (two independent programmable outputs in astronomical mode and one universal)
- outputs current capacity: 8 A / 230 V
- number of inputs: 2 (twilight switch, event recorder)
- operating temperature: from -30°C to +70°C
- protection degree: IP20
- DIN rail mounting