

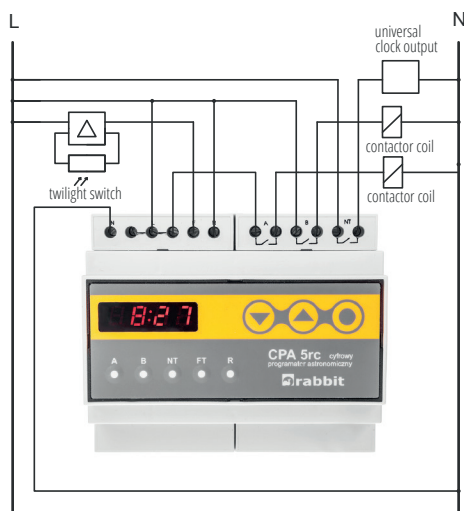
CPA 5RC

ASTRONOMICAL DIGITAL PROGRAMMER

The CPA 5RC programmer is an intelligent street lighting controller with the possibility of monitoring.

The CPA 5RC programmer is a modern street lighting controller, which is used to turn on and off and monitor the work of lighting. It contains a precision quartz clock (possible deviation of indications: +/- 5 seconds per month), which also automatically adjust for daylight savings (summer/winter). Communication with the controller mounted in the lighting cabinet can be done remotely - using a wireless remote control, therefore opening the cabinet is not required. This allows for easier and faster change of operating parameters (settings) of the controller. The event recorder built in the controller provides basic information about the work of the lighting network. All power failures are recorded. The wireless remote allows you to download data from the controller and transfer them to your computer. The supplied software makes it easier to analyze the data collected.

WIRING DIAGRAM



FEATURES OF THE DEVICE

- cooperation with PS5RC radio remote control
- event recorder
- automatic change of summer/winter time
- six stored astronomical arrays
- programmable night interruption
- cooperation with twilight switch
- easy to read LED display and ergonomic keyboard facilitate making settings
- LEDs on the front panel indicate the status of inputs and outputs
- ability to lock the keyboard and controller settings, using the PS5RC remote control
- possibility to block the driver with PIN

TECHNICAL SPECIFICATIONS

- supply voltage: 230 V +10/-20%, 50 Hz
- driver size (width / height / depth): 105 x 90 x 60 mm
- width of the device: 6 modules
- number of outputs: 3 (two independent programmable outputs in astronomical mode and one universal)
- outputs current capacity: 8 A / 230 V
- number of inputs: 2 (twilight switch, event recorder)
- operating temperature: from -30°C to +70°C
- protection degree: IP20
- DIN rail mounting